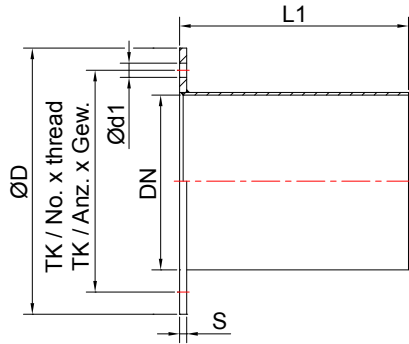


# ABS-Armaturen GmbH

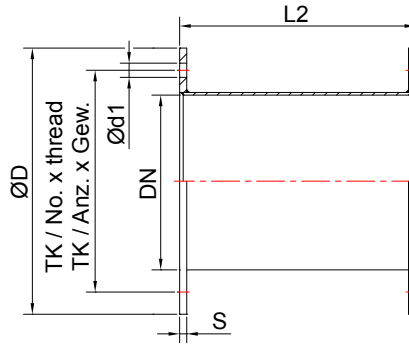
...Abwasser-Systemelemente

...Waste water system elements

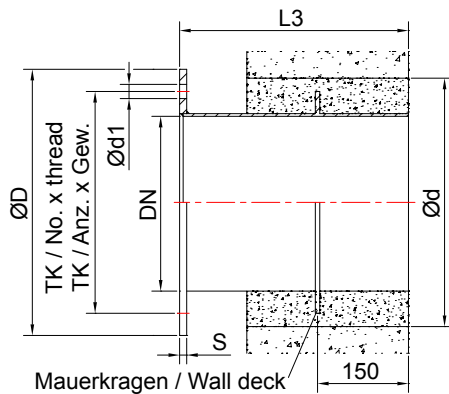
**FS: F-Stück /**  
**FS: F-piece**



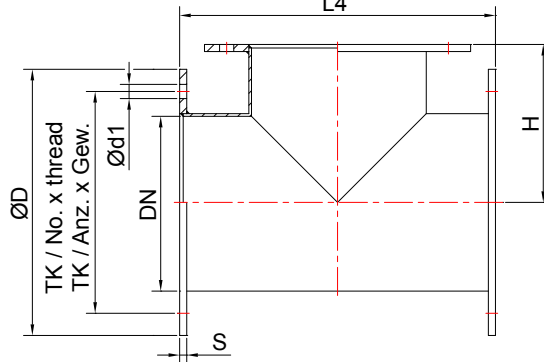
**FFS: FF-Stück /**  
**FFS: FF-piece**



**MR Mauerrohr /**  
**MR Masonry pipe**



**TS: T-Stück /**  
**TS: T-piece**



## ABS-ROHR- UND FORMSTÜCKE

Zum Anflanschen oder Eingießen, Flansche nach EN 1092 PN10

## ABS-PIPES AND MOULDED PIECES

For flanging on or grouting in, flanges according to EN 1092 PN10

| DN   | øD   | TK/Anz. x Gew./<br>TK/ No. x thread. | S               |                | ød1 | L1  | L2  | L3  | L4   | ød   | H   |
|------|------|--------------------------------------|-----------------|----------------|-----|-----|-----|-----|------|------|-----|
|      |      |                                      | dick /<br>thick | red. /<br>red. |     |     |     |     |      |      |     |
| 0050 | 165  | Ø125 / 4 x M16                       | 18              | 10             | 18  | 150 | 300 | 300 | 240  | 150  | 110 |
| 0065 | 185  | Ø145 / 4 x M16                       | 18              | 15             | 18  | 150 | 300 | 300 | 260  | 170  | 120 |
| 0080 | 200  | Ø160 / 8 x M16                       | 20              | 15             | 18  | 150 | 300 | 300 | 280  | 180  | 130 |
| 0100 | 220  | Ø180 / 8 x M16                       | 20              | 15             | 18  | 150 | 300 | 300 | 300  | 200  | 140 |
| 0125 | 250  | Ø210 / 8 x M16                       | 22              | 15             | 18  | 175 | 350 | 350 | 340  | 230  | 160 |
| 0150 | 285  | Ø240 / 8 x M20                       | 22              | 15             | 22  | 175 | 350 | 350 | 370  | 260  | 180 |
| 0175 | 315  | Ø270 / 8 x M20                       | 24              | 15             | 22  | 175 | 350 | 350 | 410  | 285  | 200 |
| 0200 | 340  | Ø295 / 8 x M20                       | 26              | 15             | 22  | 175 | 350 | 350 | 430  | 310  | 220 |
| 0250 | 395  | Ø350 / 12 x M20                      | 26              | 15             | 22  | 200 | 400 | 400 | 500  | 365  | 250 |
| 0300 | 445  | Ø400 / 12 x M20                      | 26              | 18             | 22  | 200 | 400 | 400 | 550  | 415  | 280 |
| 0350 | 505  | Ø460 / 16 x M20                      | 26              | 18             | 22  | 200 | 400 | 400 | 610  | 450  | 310 |
| 0400 | 565  | Ø515 / 16 x M24                      | 26              | 18             | 26  | 200 | 400 | 400 | 670  | 500  | 340 |
| 0450 | 615  | Ø565 / 20 x M24                      | 26              | 18             | 26  | 200 | 400 | 400 | 720  | 550  | 370 |
| 0500 | 670  | Ø620 / 20 x M24                      | 28              | 18             | 26  | 250 | 500 | 500 | 790  | 600  | 400 |
| 0600 | 780  | Ø725 / 20 x M27                      | 28              | 23             | 30  | 250 | 500 | 500 | 900  | 700  | 450 |
| 0700 | 895  | Ø840 / 24 x M27                      | 30              | 23             | 30  | 250 | 500 | 500 | 1020 | 800  | 510 |
| 0800 | 1015 | Ø950 / 24 x M30                      | 32              | 23             | 33  | 250 | 500 | 500 | 1140 | 900  | 570 |
| 0900 | 1115 | Ø1050 / 28 x M30                     | 34              | 28             | 33  | 250 | 500 | 500 | 1250 | 1010 | 630 |
| 1000 | 1230 | Ø1160 / 28 x M33                     | 34              | 28             | 36  | 252 | 500 | 500 | 1360 | 1110 | 690 |

01.2015

Änderungen vorbehalten. Angegebene Produkteigenschaften stellen keine Garantieerklärung dar. / Subject to change without notice. The specified product features do not represent any guarantee

Antriebe unter Flur  
Below-floor drives

Antriebe über Flur  
Above-floor drives

Armaturen  
Penstocks

Dammbecken  
Stop Logs

Rückstauklappen  
Backwater Flap

Stabrechen, Tauchwand, Prallteller  
Barscreen, Overflow wall, Baffle plate

Verteilerzunge, Wehr  
Distribution tongue, Weir

Rohr- und Formstücke  
Pipes and moulded pieces